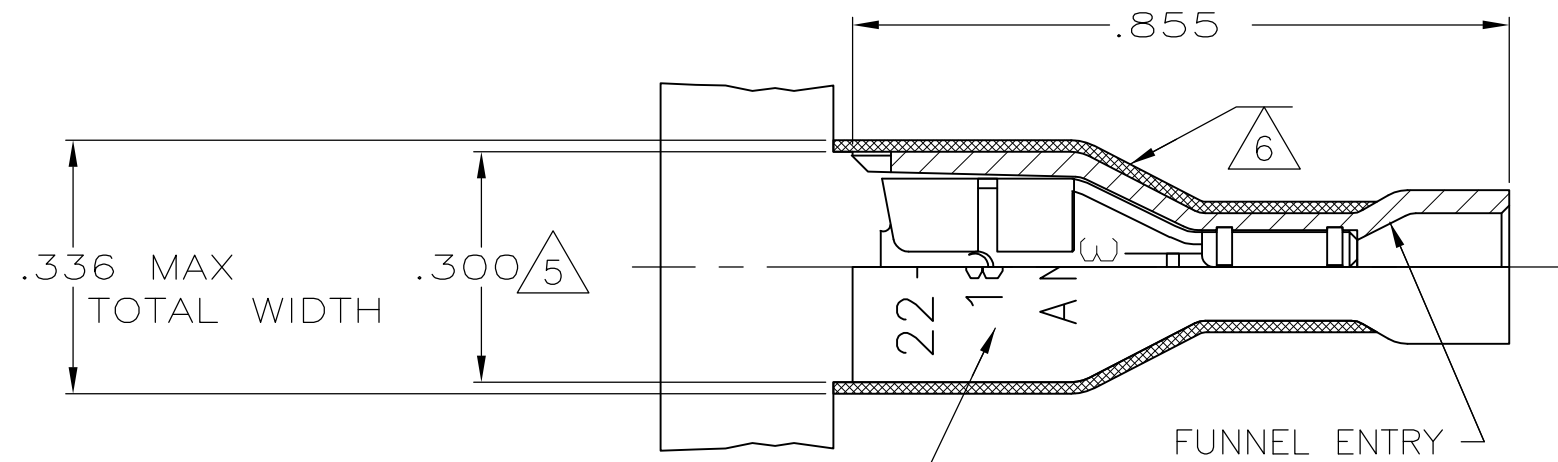
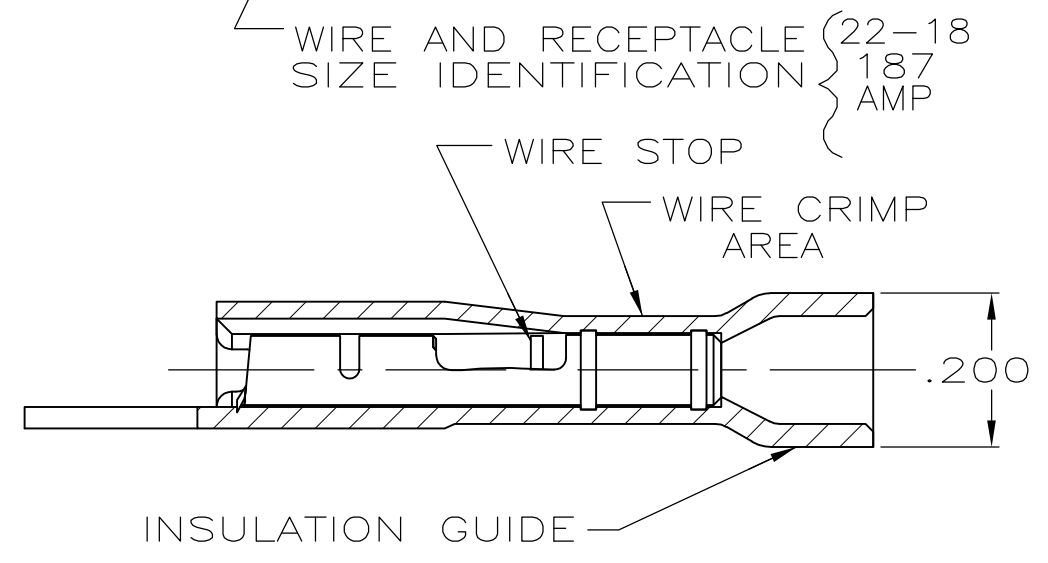
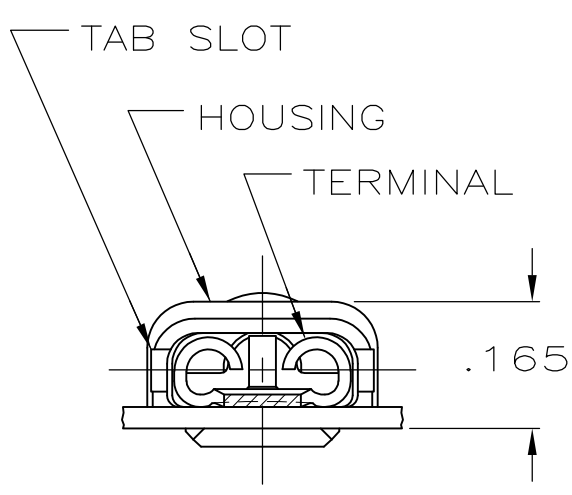


THIS DRAWING IS UNPUBLISHED. RELEASED FOR PUBLICATION  
 © COPYRIGHT - By - ALL RIGHTS RESERVED.


LOC	DIST	REVISIONS			
P	LTR	DESCRIPTION	DATE	DWN	APVD
AF	50	V	REVISED PER ECR-13-004343	30JUL13	KH KR



- 1 MATES WITH  $.032 \pm .001 \times .187$  TAB
- 2 WIRE STRIP LENGTH  $.281$
- 3 INSULATION SIZE  $.135$  MAX DIA
- 4 CONTINUOUS STRIP ON REELS
- 5 DIMENSION DOES NOT INCLUDE TRIM BURR
- 6  $.015$  MAX CARRIER TRIM BURR PER SIDE IS ALLOWABLE IN THE SHADED AREA



HOUSING: NYLON, COLOR - BLACK RECEPTACLE: BRASS TIN	9-520193-2
HOUSING: NYLON, COLOR - RED TRANSLUCENT RECEPTACLE: BRASS TIN	2-520193-2
MATERIAL & FINISH	PART NO.

THIS DRAWING IS A CONTROLLED DOCUMENT.		DWN P FORTNEY 10/13/88	 TE Connectivity NAME RECEPTACLE ASSY, ULTRA-FAST, .187 SERIES, 22-18 AWG			
DIMENSIONS: INCHES		CHK JR RUTH 10/13/88				
TOLERANCES UNLESS OTHERWISE SPECIFIED:		APVD D BRATINA 10/13/88				
0 PLC ± - 1 PLC ± - 2 PLC ± - 3 PLC ± .015 4 PLC ± - ANGLES ± -		PRODUCT SPEC 108-2043				
MATERIAL SEE TABLE	FINISH SEE TABLE	APPLICATION SPEC 114-2123	SIZE A3	CAGE CODE 00779	DRAWING NO C-520193	RESTRICTED TO -
CUSTOMER DRAWING			SCALE 4:1	SHEET 1 OF 1	REV V	